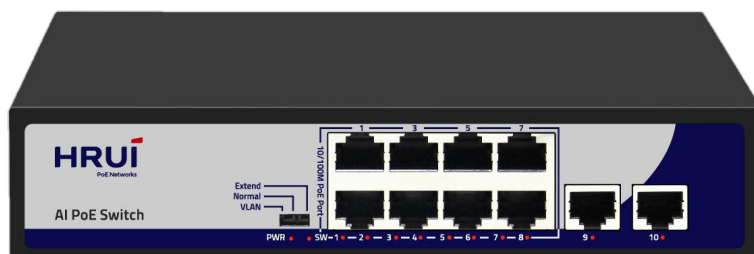


## 10-Ports 100M AI PoE Switch



[www.hrutech.com](http://www.hrutech.com)



10-Ports 100M AI PoE Switch , using high-quality high-speed network IC and the most stable POE chip, POE port support 802.3af and 802.3at standard both, this series of POE switches can be 10/100M Ethernet The network provides a seamless connection, and the POE power port can automatically detect and power the powered devices that comply with the IEEE802.3af or IEEE802.3at standards. The non-POE device intelligently detects no power and only transmits data.

### Main Features

- 8\*10/100M POE ports + 2\* 10/100M Ethernet Uplink ports
- Comply with IEEE 802.3/ IEEE 802.3u/IEEE 802.3x standards
- Ethernet port supports 10/100M adaptive
- Support port auto flip (Auto MDI/MDIX)
- Panel indicator monitoring status and help failure analysis
- Three-speed one-button intelligent dial switch with support for VLAN mode, Normal mode and Extend mode
- Support Watchdog Function
- Lightning Protection Surge: General Mode 6KV, Differential Mode 4KV, ESD 8KV.

### Application Environment

#### **Metro Optical Broadband Network:**

Data network operators such as telecommunications, cable TV, and network system integration,etc.

#### **Broadband private network:**

Suitable for financial, government, oil, railway, electric power, public security, transportation, education and other industries

#### **Multimedia transmission:**

Integrated transmission of images, voice and data, suitable for remote teaching, conference TV, videophone and other applications

#### **Real-time monitoring:**

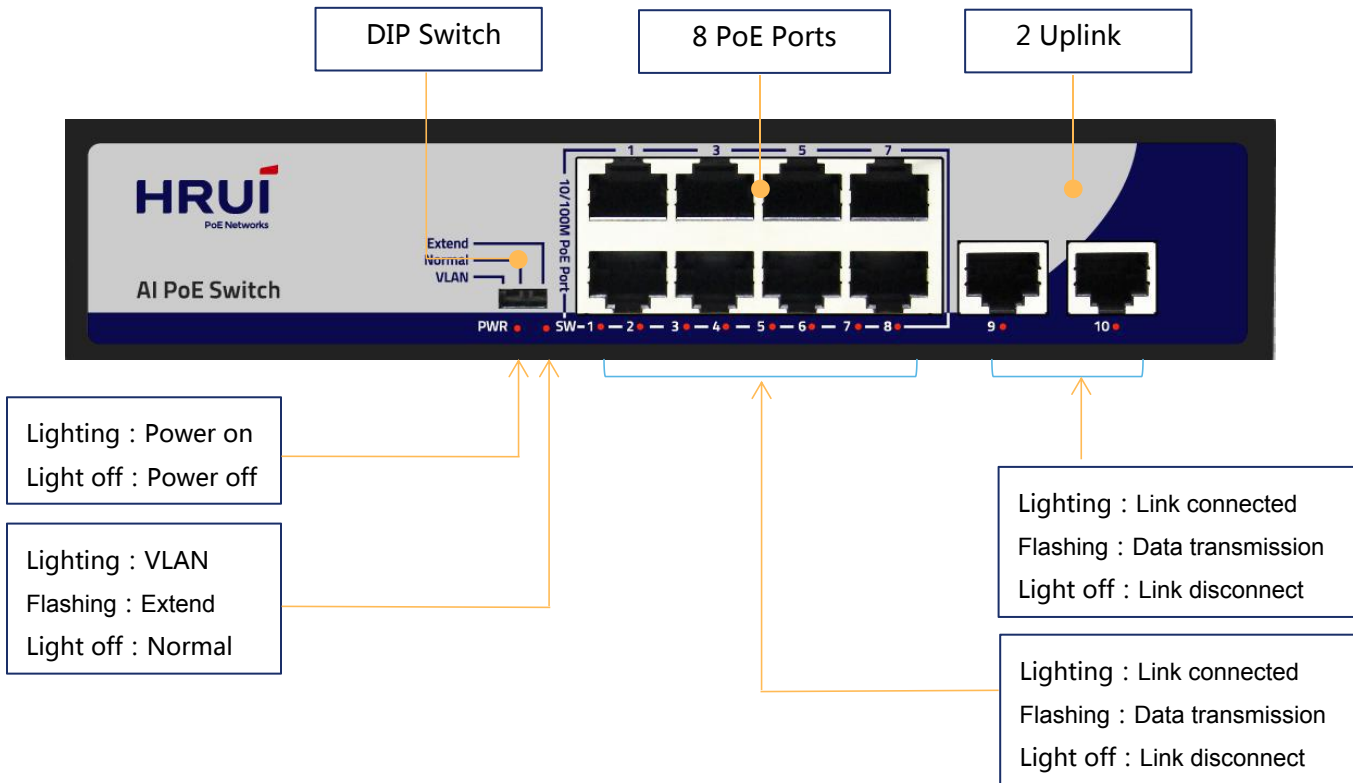
Simultaneous transmission of real-time control signals, images and data

<b>Specifications</b>	
<b>I/O Interface</b>	
Power	AC input ( 100-240 V )
Ethernet	8 Port 10/100M PoE 2 Port 10/100M Ethernet Uplink
<b>Performance</b>	
Switching Capacity	2Gbps
Throughput	1.488Mpps
Packet Buffer	448K
MAC Address	1K
Jumbo Frame	2048bytes
Transfer Mode	Store and forward
MTBF	100000 hour
<b>Standard</b>	
Network Protocol	IEEE802.3 (10Base-T) IEEE802.3u (100Base-TX) IEEE802.3x (Flow control)
PoE Protocol	IEEE802.3af ( 15.4W ) IEEE802.3at ( 30W )
Industry Standard	EMI: FCC Part 15 CISPR (EN55032) class A EMS: EN61000-4-2 (ESD)、EN61000-4-4 (EFT)、IEN61000-4-5 ( Surge ) Shock: IEC 60068-2-27 Free Fall: IEC 60068-2-32 Vibration: IEC 60068-2-6
Network Medium	10Base-T : Cat3,4,5 or above UTP( $\leq 100m$ ) 100Base-TX : Cat5 or above UTP( $\leq 100m$ )
<b>Protection</b>	
Security Certificate	CE、FCC、RoHS

Environment	
Working Environment	Working Temperature : -20~50°C Storage Temperature : -40~85°C Working Humidity : 10%~90% , non-condensing Storage Temperature : 5%~95% , non-condensing Working Height : Maximum 10,000 feet Storage height : Maximum 10,000 feet
Mechanical	
Structure Size	Product Size : 200*118*44mm Package Size : 245*190*60mm Product Net-Weight : 0.6kg Product Gross-Weight : 0.9kg
Packing Info	MEAS : 505*320*400mm Packing Qty : 20 unit Packing weight : 19 KG
Power Voltage	Input Voltage: AC 100-240 V Output Voltage : 52V2.3A
Package List	Switch 1 pcs, Power cord 1 pcs, User manual 1 pcs, Certification 1 pc
Indication	
DIP Switch	<p><b>VLAN</b> : Port isolation mode. In this mode, the PoE ports (1-8) of the switch cannot communicate with each other, and can only communicate with the UP-link port. The port AI mode is turned on</p> <p><b>Normal</b> : Normal mode, all port can communicate with each other, the transmission distance is within 100 meters, the transmission rate is 10M / 100M adaptive; The port AI mode is closed</p> <p><b>Extend</b> : Link extension mode, 1-8 ports PoE power supply and data transmission distance can be extended to 250 meters, the transmission rate becomes 10M, and the port AI mode is turned on</p>
LED Indicators	PWR、 SW、 1-10 Link&ACT

Ordering Info	
HR900-AF-82N	10-Ports 100M AI PoE Switch

## Dimension



## Application

