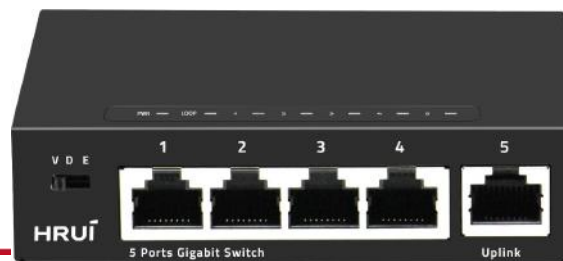


5-Port Gigabit Intelligent Ethernet Switch

- | | | |
|------------------|---------------|-------------------|
| ADVANCED CHIPSET | LOOP ALARM | SAFETY PROTECTION |
| LED INDICATOR | METAL HOUSING | DIP CONTROL |



www.hruiotech.com

CE FC RoHS

The 5-port Gigabit intelligent Ethernet switch adopts high-quality and high-speed network ICs, and this product completely solves the problem of noise of small switches in the office environment through the fanless mute design. This switch has 5 Gigabit RJ45 ports, can provide seamless connection for 10/100/1000M Ethernet, supports three working modes, one-key smart simple switching working mode, easy to manage and maintain, the product can be widely used in Security network video surveillance, hotel, campus, small and medium-sized enterprise network engineering and other occasions.

Main Features

- 5*10/100/1000M RJ45 Ports
- Apply to IEEE802.3, IEEE802.3u, IEEE802.3ab standard
- Ethernet port supports 10/100/1000M adaptive
- Support auto MDI/MDIX
- Panel indicators to monitor working status and help fault analysis
- One-key smart switch, supports VLAN, Default, Extend three modes
- Flow control, full duplex adopts IEEE802.3x standard, half duplex adopts Backpressure standard
- Support Loop alarm

Application Environment

Metro Optical Broadband Network:

Data network operators such as telecommunications, cable TV, and network system integration,etc.

Broadband private network:

Suitable for financial, government, oil, railway, electric power, public security, transportation, education and other industries

Multimedia transmission:

Integrated transmission of images, voice and data, suitable for remote teaching, conference TV, videophone and other applications

Real-time monitoring:

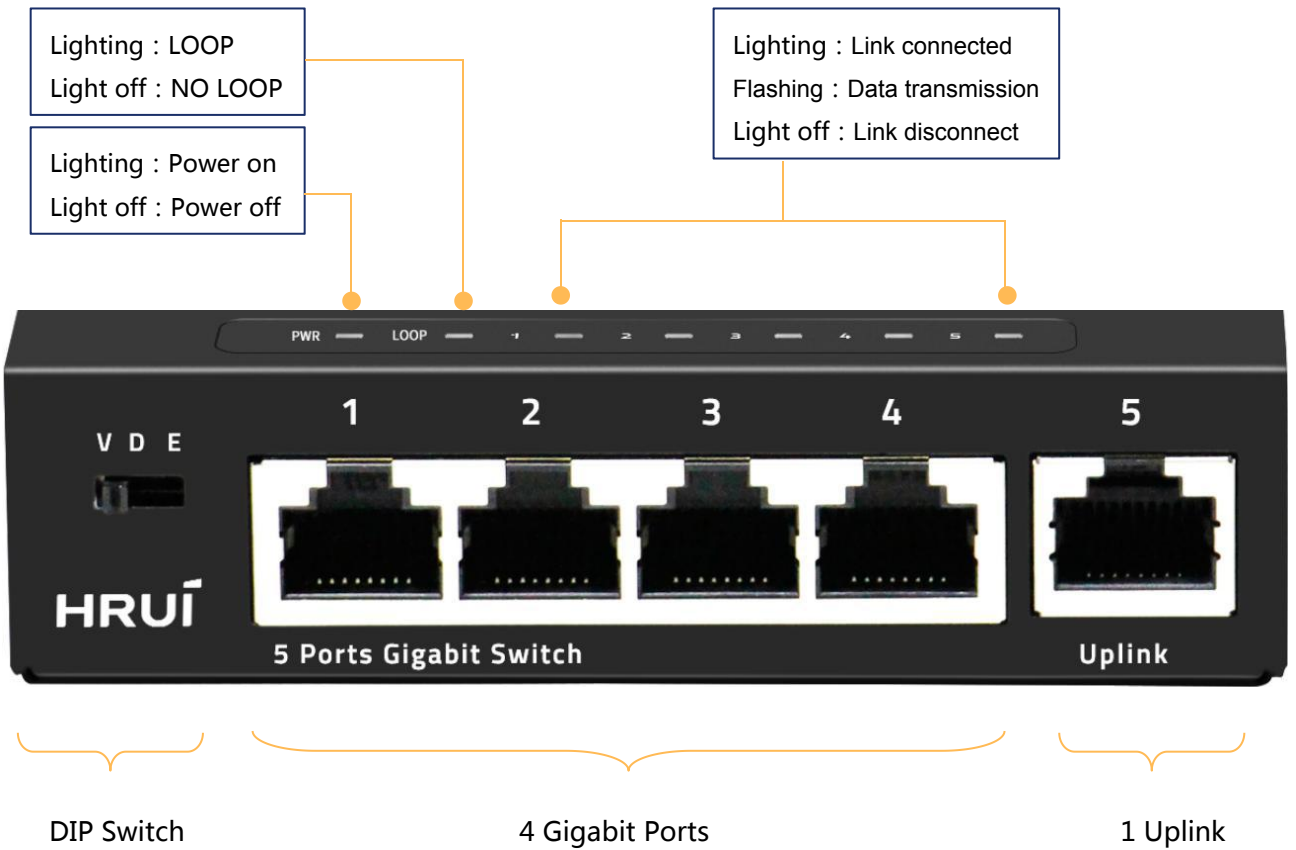
Simultaneous transmission of real-time control signals, images and data

Specifications	
I/O Interface	
Power	DC 5V
Ethernet	5*RJ45 10/100/1000Mbps Ports
Performance	
Switching Capacity	10Gbps
Throughput	7.44Mpps
Packet Buffer	1M
MAC Address	1K
Jumbo Frame	2K
Transfer Mode	Store and forward
MTBF	100000 hour
Standard	
Network protocol	IEEE802.3 (10Base-T) IEEE802.3u (100Base-TX) IEEE802.3ab (1000Base-TX) IEEE802.3x (Flow control)
Industry Standard	EMI: FCC Part 15 CISPR (EN55032) class A EMS: EN61000-4-2 (ESD)、EN61000-4-4 (EFT) Shock: IEC 60068-2-27 Free Fall: IEC 60068-2-32 Vibration: IEC 60068-2-6
Network Medium	10Base-T : Cat3,4,5 or above UTP($\leq 100m$) 100Base-TX : Cat5 or above UTP($\leq 100m$) 1000Base-TX : Cat5 or above UTP($\leq 100m$)
Protection	
Security Certificate	CE、FCC、RoHS

Environment	
Working Environment	Working Temperature : -10~50°C Storage Temperature : -40~70°C Working Humidity : 10%~90% , non-condensing Storage Temperature : 5%~90% , non-condensing Working Height : Maximum 10,000 feet Storage height : Maximum 10,000 feet
Mechanical	
Structure Size	Product Size : 100*70*26mm Package Size : 175*120*63mm Product Net-Weight : 0.2kg Product Gross-Weight : 0.4kg
Packing Info	MEAS : 505*320*400mm Packing Qty : 40 unit Packing weight : 17KG
Power Voltage	Power Input Voltage : AC 100-240 V Switch Input Voltage : DC 5 V1A
Package List	Switch 1 pcs, Power cord 1 pcs, User manual 1 pc, Warranty card 1 pc
Indication	
DIP Switch	VLAN : Port Isolation, 1-4 ports are isolated each other, all communicate with uplink port 5; Default : Default mode, all ports communicate with each other; Extend : Monitor Mode, 1-4 ports support 100M speed reduction negotiation, support 250 meters in 10Mbps/s mode, port 5 as uplink port ;
LED Indicators	PWR、 Loop、 Link

Ordering Info	
HR-SWG1050	5-Port Gigabit Intelligent Ethernet Switch

Dimension



Application

