

DH-HAC-T1A41

4MP HDCVI Fixed IR Eyeball Camera

HDCVI



- Max. 30fps@4MP
- HD and SD output switchable
- 3.6mm fixed lens (2.8mm, 6mm optional)
- Max. IR length 20m, Smart IR
- DC12V



System Overview

Experience 4MP video and the simplicity of using existing cabling infrastructure with HDCVI. The Cooper series 4MP HDCVI camera features a compact design and offers a high quality image at a friendly price. It offers various vari-focal/fix lens models with a multi-language OSD and HD/SD switchable output. Its structural flexibility and high cost-performance makes the camera an ideal choice for SMB solutions.

Functions

4 Signals over 1 Coaxial Cable

HDCVI technology supports 4 signals to be transmitted over 1 coaxial cable simultaneously, i.e. video, audio*, data and power. Dual-way data transmission allows the HDCVI camera to interact with the HCVR, such as sending control signal or triggering alarm. Moreover, HDCVI technology supports PoC for construction flexibility.

* Audio input is available for some models of HDCVI cameras.

Long Distance Transmission

HDCVI technology guarantees real-time transmission at long distance without any loss. It supports up to 700m for 4MP HD video via coaxial cable, and up to 300m via UTP cable.*

*Actual results verified by real-scene testing in Dahua's test laboratory.

Simplicity

HDCVI technology inherits the born feature of simplicity from traditional analog surveillance system, making itself a best choice for investment protection. HDCVI system can seamlessly upgrade the traditional analog system without replacing existing coaxial cabling. The plug and play approach enables full HD video surveillance without the hassle of configuring a network.

Smart IR

The camera is designed with microcrystalline LED IR illumination for best lowlight performance. Smart IR is a technology to ensure brightness uniformity in B/W image under low illumination. Dahua's unique Smart IR adjusts to the intensity of camera's infrared LEDs to compensate for the distance of an object, and prevents IR LEDs from overexposing images as the object come closer to the camera.

Multi-formats

The camera supports multiple video formats including HDCVI, CVBS and other two common HD analog formats in the market. The four formats can be switched over through OSD menu or by PFM820 (UTC controller). This feature makes the camera to be compatible with not only XVRs but also most end users' existing HD/SD DVRs.

Multi-language OSD

OSD menu provides multiple image adjustments and function settings to meet the requirements of different monitoring scenes. The OSD menu includes configurations such as backlight mode, day/night, white balance, privacy mask and motion detect. The camera supports 11 languages for OSD menu, namely, Chinese, English, French, German, Spanish, Portuguese, Italian, Japanese, Korean, Russian and Polish.

Protection

With working temperature range of -40 °C to +55°C (-40 °F to +131°F), the camera is designed for extreme temperature environments.

Supporting ±30% input voltage tolerance, this camera suits even the most unstable power supply conditions. Its 4KV lightning rating provides protection against the camera and its structure from the effects of lightning.

Technical Specification

Camera

Image Sensor	1/2.7" CMOS
Effective Pixels	2560(H)×1440(V), 4MP
Scanning System	Progressive
Electronic Shutter Speed	PAL: 1/25~1/100000s NTSC: 1/30~1/100000s
Minimum Illumination	0.04Lux/F2.0, 30IRE, 0Lux IR on
S/N Ratio	More than 65dB
IR Distance	Up to 20m (66feet)
IR On/Off Control	Auto / Manual

Lens

Lens Type	Fixed lens / Fixed iris				
Mount Type	Board-in				
Focal Length	3.6mm (2.8mm, 6mm Optional)				
Max Aperture	F2.0				
Angle of View	2.8mm: 125° x105° x56° (diagonal x horizontal x vertical) 3.6mm: 107° x 89° x 48° (diagonal x horizontal x vertical) 6mm: 61° x 54° x 31° (diagonal x horizontal x vertical)				
Focus Control	N/A				
Close Focus Distance	2.8mm:0.7m(2.3 ft) 3.6mm:1.1 m (3.6 ft) 6mm: 2.7 m (8.9 ft)				
DORI distance	Lens	Detect	Observe	Recognize	Identify
	2.8mm	49.8 m (163.0 ft)	19.9 m (65.0 ft)	10.0 m (33.0 ft)	5.0 m (17.0 ft)
	3.6mm	64.0 m (210.0 ft)	25.6 m (84.0 ft)	12.8 m (42.0 ft)	6.4 m (21.0 ft)
	6mm	106.7 m (350.0 ft)	42.7 m (140.0 ft)	21.3 m (70.0 ft)	10.7 m (35.1 ft)

Pan / Tilt / Rotation

Pan/Tilt/Rotation	Pan: 0° ~ 360° Tilt: 0° ~ 78° Rotation: 0° ~ 360°
-------------------	---

Video

Resolution	4M (2560 × 1440); 1080P (1920 × 1080); 960H (960 × 576/960 × 480)
Frame Rate	CVI: PAL:4M@25fps;1080P@25fps NTSC:4M@30fps;1080P@30fps AHD: PAL:4M@25fps; NTSC:4M@30fps; TVI: PAL:4M@25fps; NTSC:4M@30fps; CVBS: 960H;

Video Output	1-channel BNC high definition video output / CVBS video output (Can switch)
Day/Night	Auto (ICR) / Manual
OSD Menu	Multi-language
BLC Mode	BLC / HLC / DWDR
WDR	DWDR
Gain Control	AGC
Noise Reduction	2D
White Balance	Auto / Manual
Smart IR	Auto / Manual

Certifications

Certifications	CE (EN55032, EN55024, EN50130-4,EN60950-1) FCC (CFR 47 FCC Part 15 subpartB, ANSI C63.4-2014) UL (UL60950-1+CAN/CSA C22.2 No.60950-1)
----------------	---

Interface

Audio Interface	N/A
-----------------	-----

Electrical

Power Supply	12V DC ±30%
Power Consumption	Max. 2.6W (12V DC, IR on)

Environmental

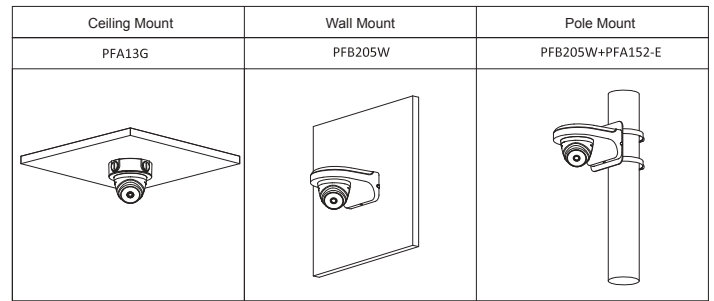
Operating Conditions	-40°C ~ +55°C (-40°F ~ +131°F) / Less than 95% RH * Start up should be done at above-40°C (-40°F)
Storage Conditions	-40°C ~ +55°C (-40°F ~ +131°F) / Less than 95% RH
Ingress Protection & Vandal Resistance	NA

Construction

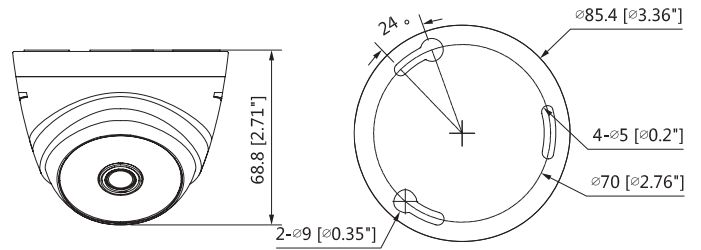
Casing	Plastic
Dimensions	φ85.4mm × 68.8mm (φ3.36 × 2.71")
Net Weight	0.09kg (0.20lb)
Gross Weight	0.13kg (0.27lb)

Ordering Information

Type	Part Number	Description
4MP Camera	DH-HAC-T1A41P 2.8mm	4MP HDCVI IR Eyeball Camera, PAL
	DH-HAC-T1A41P 3.6mm	
	DH-HAC-T1A41P 6mm	
	DH-HAC-T1A41N 2.8mm	4MP HDCVI IR Eyeball Camera, NTSC
	DH-HAC-T1A41N 3.6mm	
	DH-HAC-T1A41N 6mm	
Accessories	PFA13G	Junction box (For use alone or with PFA152-E pole mount)
	PFA152-E	Pole mount (For use with PFA135 junction box)
	PFB205W	Wall-mount Bracket
	PFM800-4K	Passive Video Balun
	PFM321	12V 1A Power Adapter
	PFM820(Only 1080P and below are available)	UTC Controller
	PFM907	Integrated Mount Tester



Dimensions (mm/inch)



Accessories

Optional:



PFA13G
Junction box



PFA152-E
Pole mount



PFB205W
Wall-mount Bracket



PFM800-4K
Passive Video Balun



PFM321
12V 1A Power Adapter



PFM820
(Only 1080P and below are available)
UTC controller



PFM907
Integrated Mount Tester